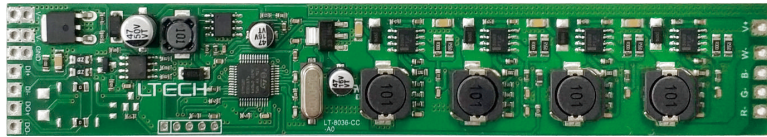


# LT- 8036-1000 DMX/RDM CC Decode Circuit Board



LT-8036-1000 is a PCB CC driver, which is designed especially for DMX512 high power wall washer, project lights. Suitable for controlling single color, tunable white, RGB, RGBW LED lights.

With standard RDM long range devices management function, coding line is not required. Work with WiFi-RDM01, setting the data of connected LT-8036-1000 via App, such as DMX address, dimming range, dimming mode, firmware updates, etc.

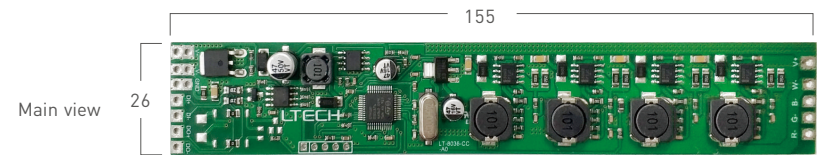
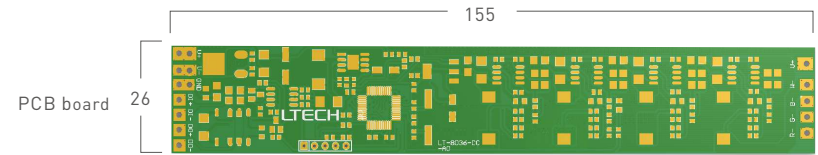
Offline sync mode, preset 3 modes. The connected DMX devices will sync play the preset modes if over a period of time without DMX signal. which is a feasible solution for small control system.

## 1. Product parameter:

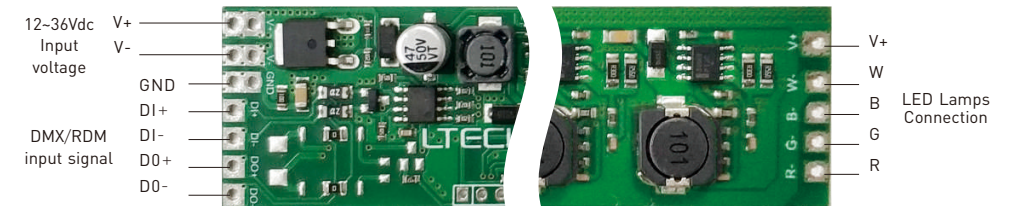
Model:	LT-8036-1000	Control mode:	Dimming/CT/RGB/RGBW
Name:	DMX/RDM CC decode circuit board	Protection:	Short circuit / Over load / Anti-reverse connection
Input signal:	DMX512, RDM	Offline mode:	Static white, jump, smooth
Input voltage:	12~36Vdc	Working temp.:	-30°C~65°C
Output voltage:	7.5~33Vdc	Storage temp.:	-60°C~150°C
Current load:	CC 1000mA × 4CH	Product size:	L155 × W26 × H10(mm)
Output power:	{0~7.5W...33W} × 4CH Max. 132W	Weight (N.W.):	30g
Dimming range:	0~100%		

## 2. Product size:

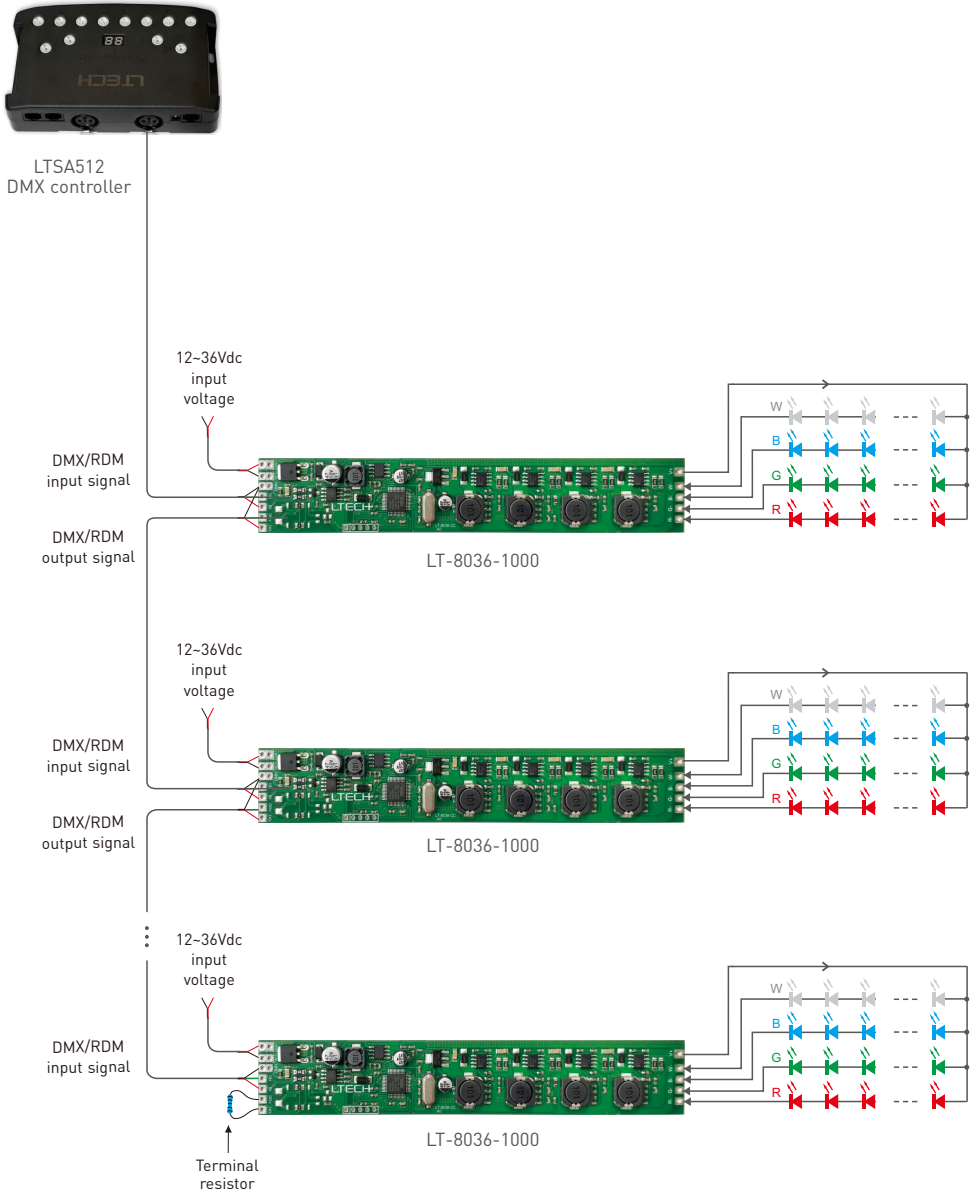
Unit: mm



## 3. Terminals:

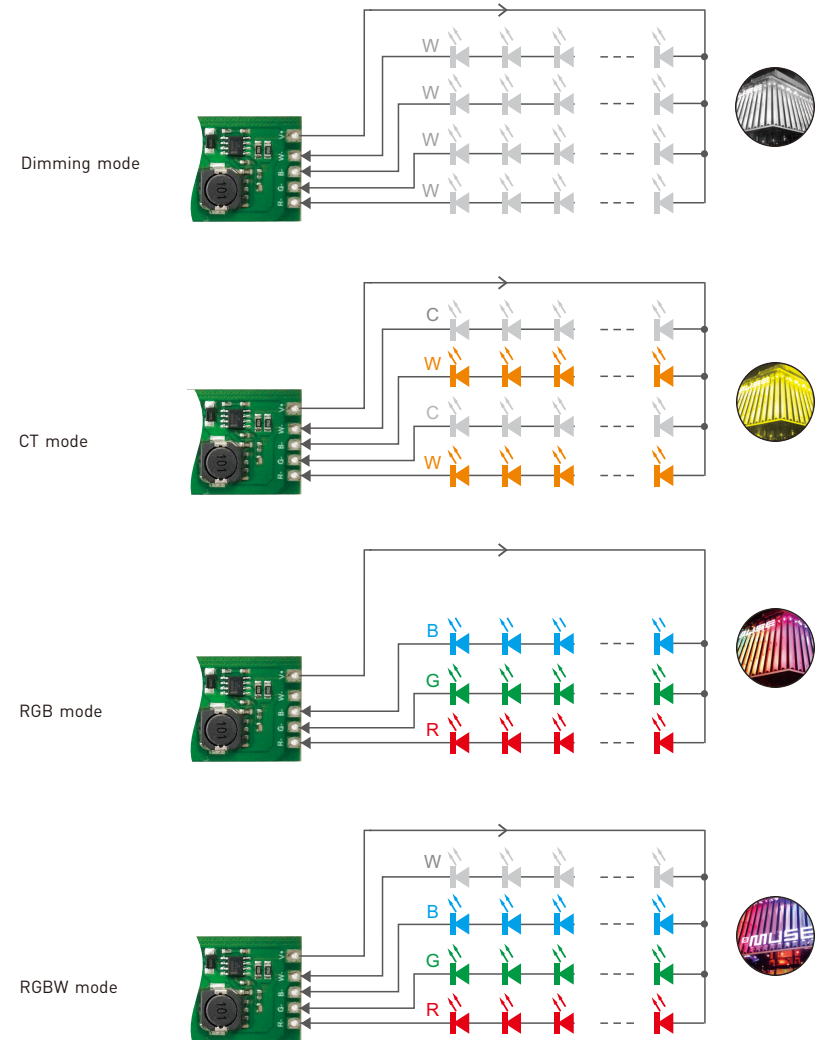


4. Wiring diagram:



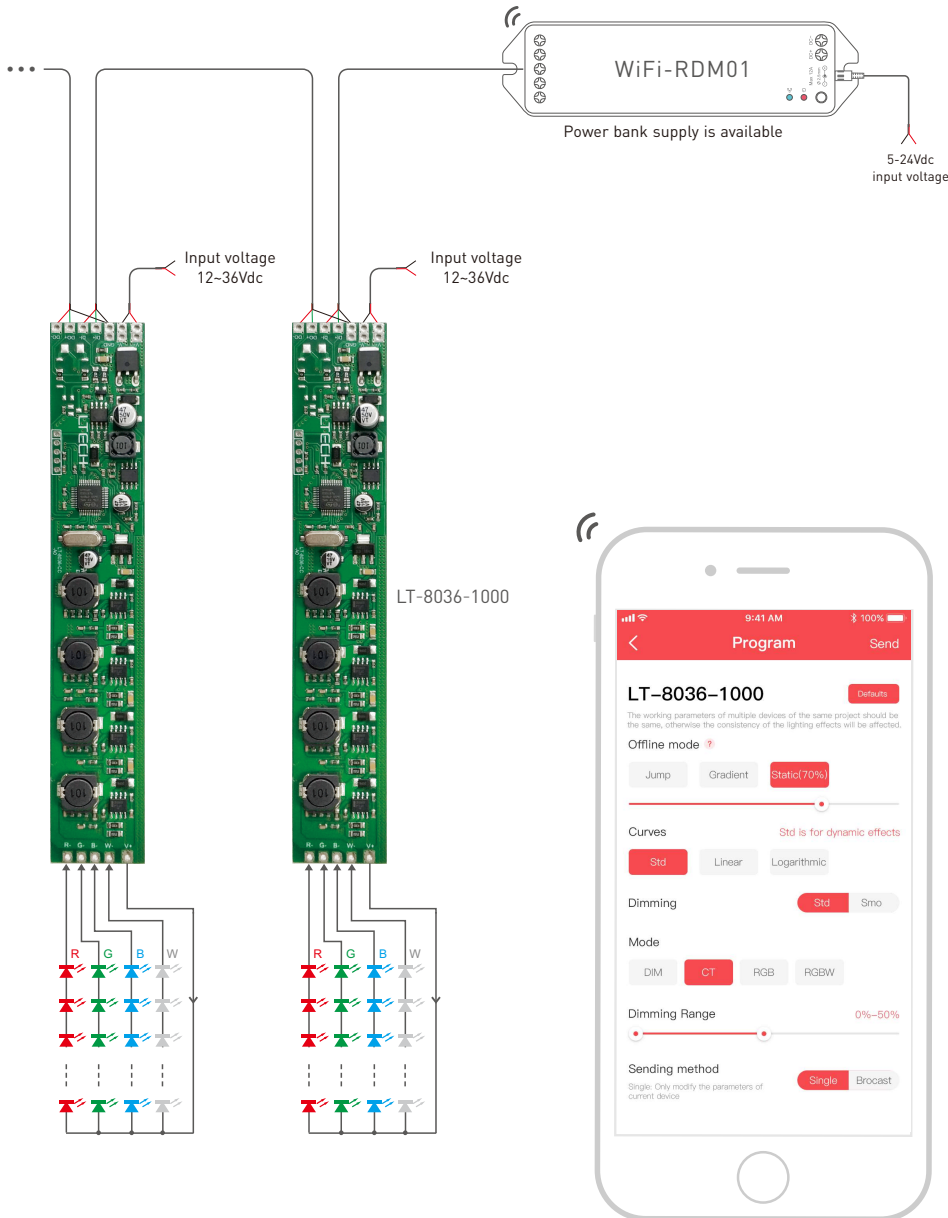
Address setting table

Mode	DIM	CT	RGB	RGBW
Address quantity	1	2	3	4
Channel 1	001	001	001	001
Channel 2	001	002	002	002
Channel 3	001	001	003	003
Channel 4	001	002	003	004



5. Work with RDM editor:

LT-8036-1000 can work with LTECH RDM editor (Model: WiFi-RDM01) to realize changing the parameters and firmware by long-range setting, more details, please check the manual of WiFi-RDM01.



6. Attention:

- 6.1 The product shall be installed and serviced by the qualified person.
- 6.2 This product is non-waterproof. Please avoid the sun and rain. When installed outdoors please ensure it is mounted in a water proof enclosure.
- 6.3 Good heat dissipation will prolong the working life of the controller. Please ensure good ventilation.
- 6.4 Please check if the output voltage of the LED power supply used comply with the working voltage of the product.
- 6.5 Please ensure that adequate sized cable is used from the controller to the LED lights to carry the current. Please also ensure that the cable is secured tightly in the connector.
- 6.6 Ensure all wire connections and polarities are correct before applying power to avoid any damages to the LED lights.
- 6.7 If a fault occurs, please return the product to your supplier. Do not attempt to fix this product by yourself.

7. Warranty Agreement:

- 7.1 We provide lifelong technical assistance with this product:
    - A 5-year warranty is given from the date of purchase. The warranty is for free repair or replacement if cover manufacturing faults only.
    - For faults beyond the 5-year warranty, we reserve the right to charge for time and parts.
  - 7.2 Warranty exclusions below:
    - Any man-made damages caused from improper operation, or connecting to excess voltage and overloading.
    - The product appears to have excessive physical damage.
    - Damage due to natural disasters and force majeure.
    - Warranty label, fragile label and unique barcode label have been damaged.
    - The product has been replaced by a brand new product.
  - 7.3 Repair or replacement as provided under this warranty is the exclusive remedy to the customer. We shall not be liable for any incidental or consequential damages for breach of any stipulation in this warranty.
  - 7.4 Any amendment or adjustment to this warranty must be approved in writing by our company only.
- ★ This manual only applies to this model. We reserve the right to make changes without prior notice.

\* No further notice if any changes in the manual.  
 Product function depends on the goods.  
 Please feel free to contact your supplier if any question.